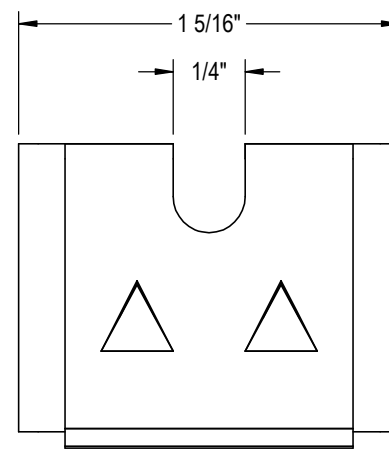
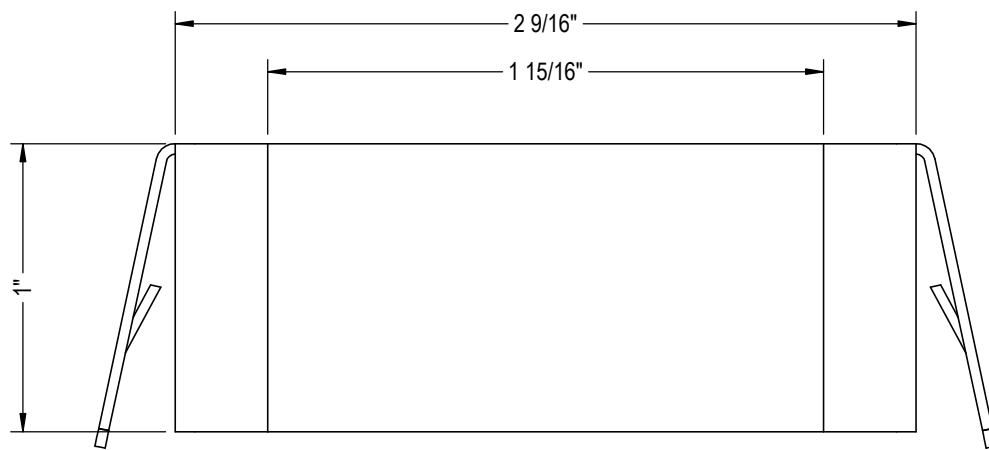
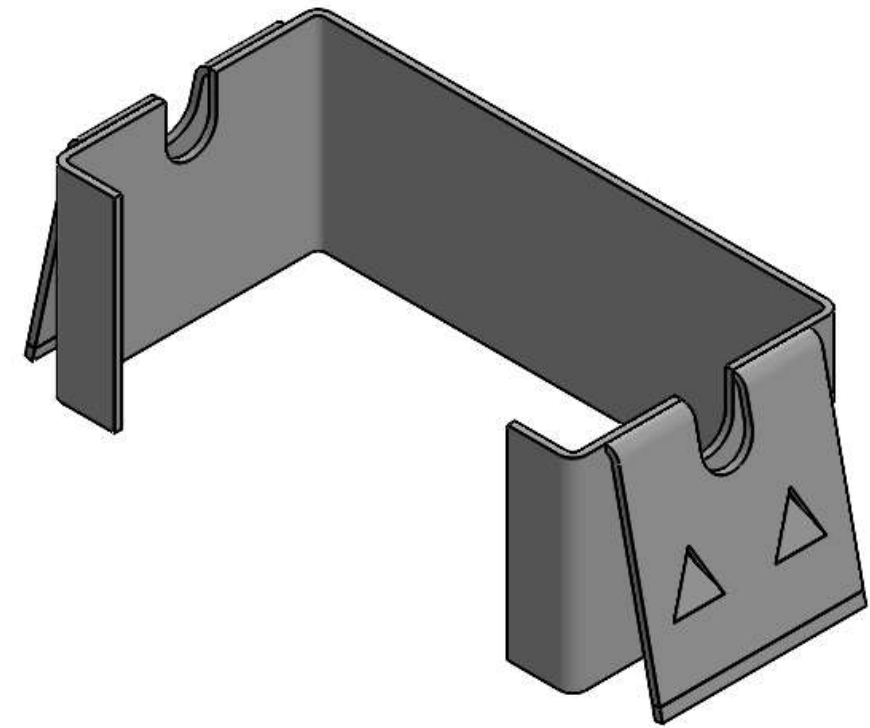
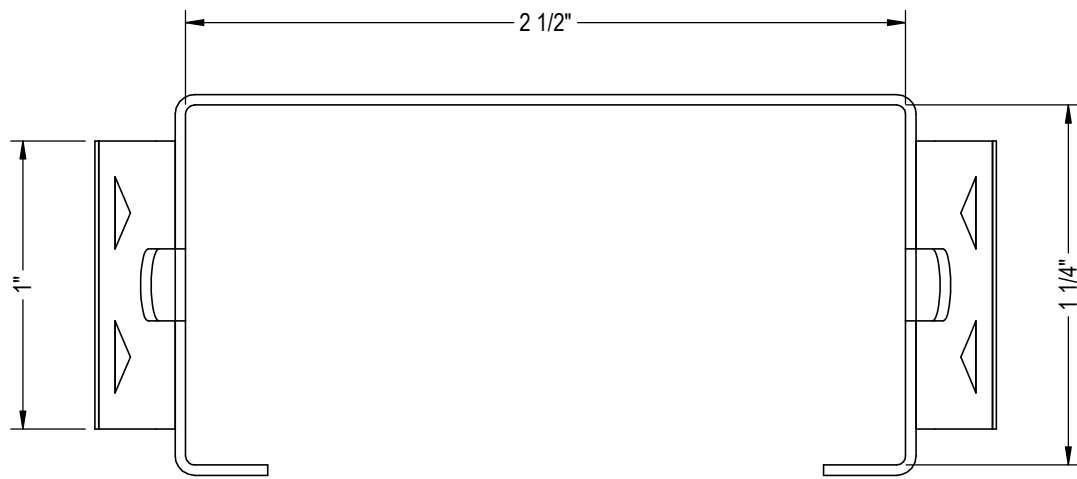



Yurclip has provided this document to communicate design information about our product. By accepting this document, the recipient promises and agrees that this document shall not be reproduced, copied or distributed directly or indirectly to other organizations without written consent from Yurclip. This document shall not be used for any other purpose other than that for which it was furnished.



 www.YURCLIP.com <small>INFORMATION IN THIS DRAWING PROVIDED FOR REFERENCE ONLY.</small>	PART NUMBER <b>YUR - 2.5</b>
	<b>2 1/2" HEAD OF WALL DEFLECTION CLIP</b>